

STABILITY

in a sea of uncertainty



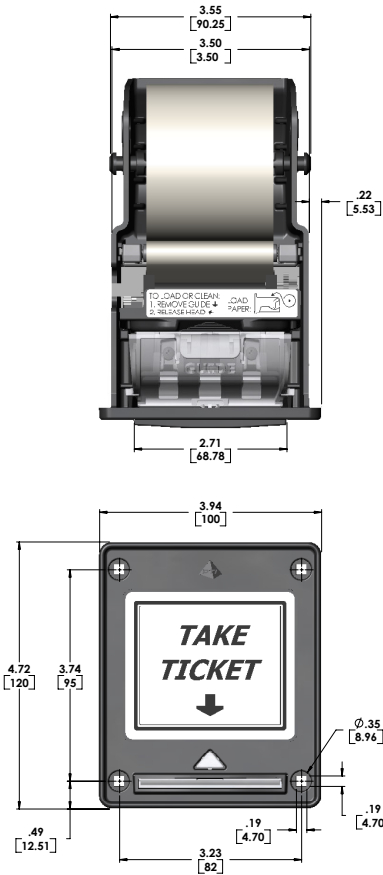
PHOENIX THERMAL PRINTER™

Simplicity of design. Features that matter. Reliability that you can trust.

Phoenix Thermal Printer incorporates these aspects to bring you a product that truly makes a difference in today's marketplace. All this along with the developer friendly environment that Pyramid is known for and you have a true winner. Make the easy decision today and enjoy all the benefits that Phoenix has to offer. Quality, Confidence, Value; the Phoenix Thermal Printer is your thermal printer of choice.



PHOENIX THERMAL PRINTER™

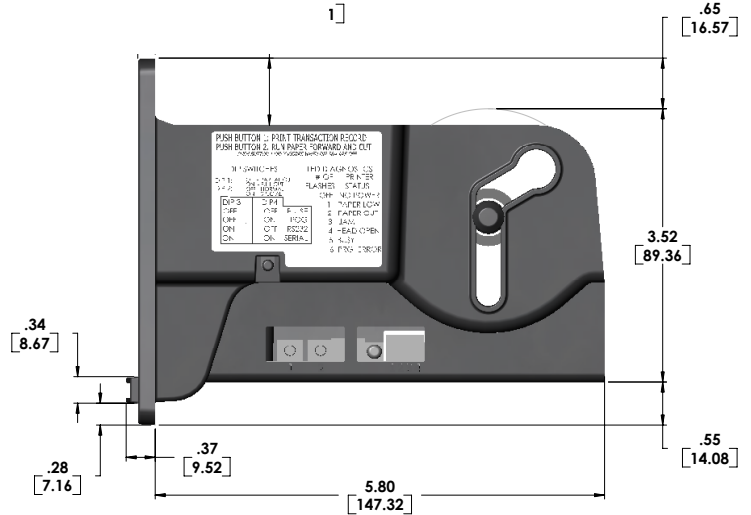


Model Numbers

PHX-Pulse - Pulse Interface

PHX-POG - Pulse/Pot-O-Gold Interface

PHX-USB - USB Interface



Under the Hood

- ✓ Automated loading of 58mm thermal paper
- ✓ Built-in paper cutter for full and partial cuts USB, Pot-O-Gold, and Pulse Interfaces
- ✓ Easily convert coin hopper games to ticket printing
Time/date stamp printed on tickets
- ✓ Standard panel mounting
- ✓ Simple DIP switch configuration & easy flash updates
- ✓ User-customizable text and graphics for coupons and tickets
- ✓ PTI welcomes custom applications to suit your printing needs.

Specifications

- Operating Voltage: 12 VDC +/- 10%
- Operating Current: Idle = 15mA, Operating = 5A (Max)
- Operating Temperature: 0 to 60° C, 85% non-condensing humidity (Max)
- Print Speed: Approx. 1 coupon or ticket in three (3) seconds.
- Paper Detection: Signals Paper Low and Paper Empty conditions.
- Net Weight: 1.25 lbs.

Accessories

- Power Harness: Part Number 5P000
- Pot-O-Gold Communication Harness: Part Number 5P001
- Serial RS232 (DB9) Harness: Part Number 5P002
- USB Communication Harness: Part Number 05AA0049
- Security Mounting
- Plate Kit: Part Number 95P02