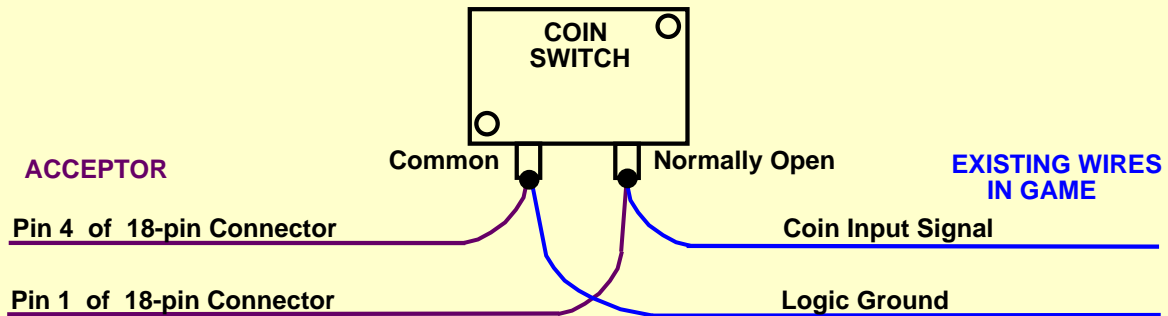
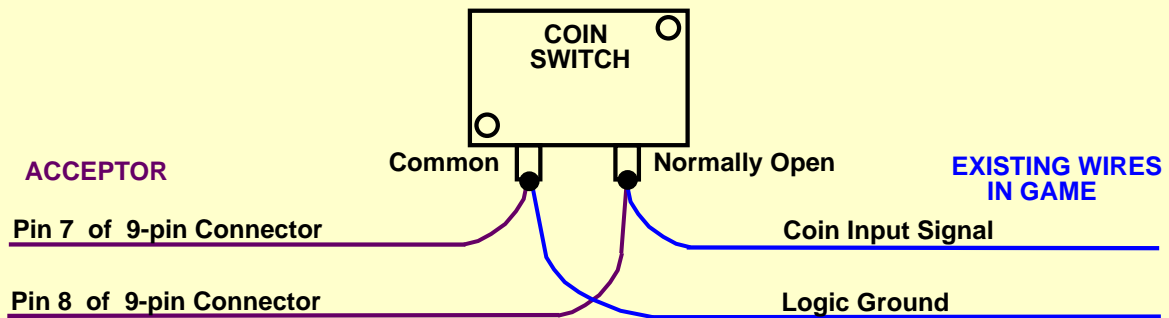


CONNECTING THE APEX 5000 TO A COIN SWITCH

12 VDC Powered Acceptors

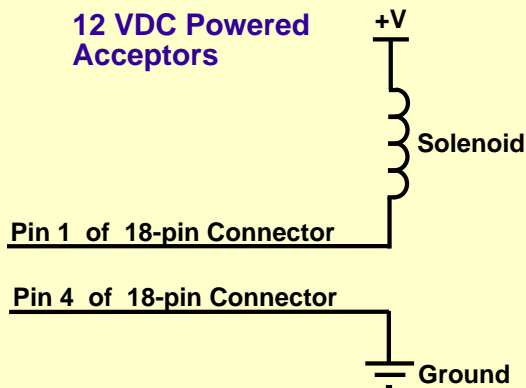


120 VAC Powered Acceptors



CONNECTING THE APEX 5000 TO A SOLENOID:

12 VDC Powered Acceptors



120 VAC Powered Acceptors

