



R E L I A N C E

Reliance Thermal Printer Windows® Driver



www.pyramidacceptors.com

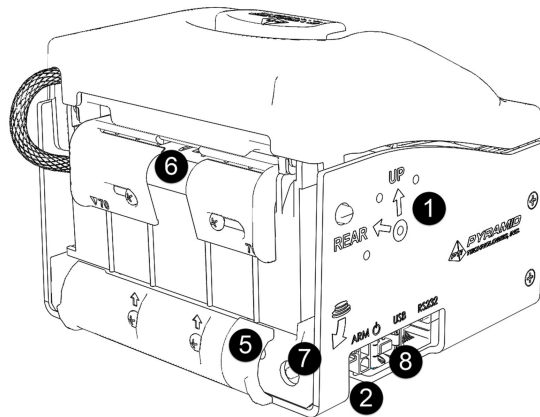
Installation Method #1 (Recommended)

Pyramid Technologies provides the Reliance Thermal Printer driver through Windows Update. This means that your Reliance Thermal Printer is 100% plug-n-play ready for the following Operating Systems:

- Windows 7
- Windows 8
- Windows 8.1
- Windows 10
- Windows Server 2012
- Windows Server 2016

Step-by-Step

1. Supply power to the Reliance Printer by supplying power to the power connector. On the diagram below this is shown item 2.



2. Connect Reliance to your PC with the provided USB cable.
3. Windows Update will search for, discover, and install the driver automatically. The printer icon will look similar to this when viewed from the Devices and Printers control panel.



4. Complete

Method #2 Manual Installation

This method is recommended for OEM manufacturers and operating systems that are no longer supported by Microsoft Windows Update.

This includes the following operating systems:

- Windows 2000
- Windows XP
- Windows Vista
- Server 2003
- Server 2008

Step-by-Step using installer

1. Download and unzip the latest Windows Driver from:
2. Open the unzipped folder which will be named **Reliance-WindowsDriver-X.Y.ZZ** where X,Y, and Z represent the driver version number.
3. Run Setup.exe which will automatically run the installer appropriate for your version of Windows
4. Apply power to Reliance Printer and connect to PC with USB cable. Windows will find the newly installed driver and setup Reliance as a Windows printer.

Step-by-Step Using INF File

1. Download and unzip the latest Windows Driver from:
<https://pyramidacceptors.com/support/reliance-printer-drivers>
2. Open the unzipped folder which will be named **Reliance-WindowsDriver-X.Y.ZZ** where X,Y, and Z represent the driver version number.
3. Proceed to manually install printer as appropriate for your OS
4. When asked to select the driver, refer the to following table when selecting the inf to choose

OS	Folder to use
Windows Server 2003 x64	2k3x64
Windows Server 2003 x86	2k3x86
Windows Server 2008 (x86 and x64)	2k8
Windows 10 (x86 and x64)	win10
All other supported versions of Windows	REL

5. Select **PYRTIU . INF** from the selected folder.
6. Installation will complete normally
7. Optional: Under device manager, you may see a CDC (serial port) device without a driver. This is part of Reliance and may be used for RS-232 over USB as a serial port. Refer back to the folder from Step 4 and select the **PYRMDCDC . inf** as the driver.