

PHOENIX THERMAL PRINTER

CLEANING INSTRUCTIONS



www.pyramidacceptors.com

Document Overview

The purpose for this document is to outline specific details needed for the proper completion of preventative maintenance cleaning.

Scope

The scope of this document is to define and layout all instructions in sequential order for the completion of the preventative maintenance cleaning process. It is the responsibility of the technician performing this procedure to follow the steps, instructions and inspection requirements as stated in this document.

Required Equipment, Tools and Supplies

Description	Part Number
Microfiber cleaning cloth	N/A
Canned air	N/A
Small brush	N/A
Thermal Printer Cleaning pen	N/A

Special Note:

****NEVER USE OILS OR SILICON SPRAY ON THE PRINTER****

**Before proceeding with these cleaning instructions please disconnect all power and I/O connections from the printer before starting.

Cleaning Instructions

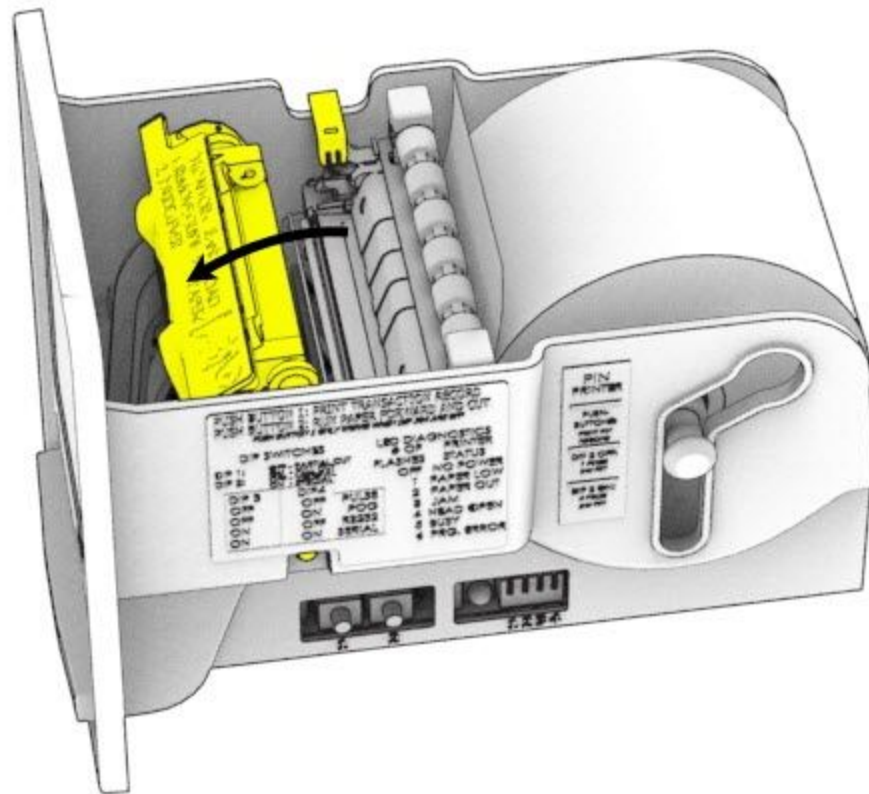
Step 1:

Remove the clear plastic paper guide from the printer as seen in the image below.



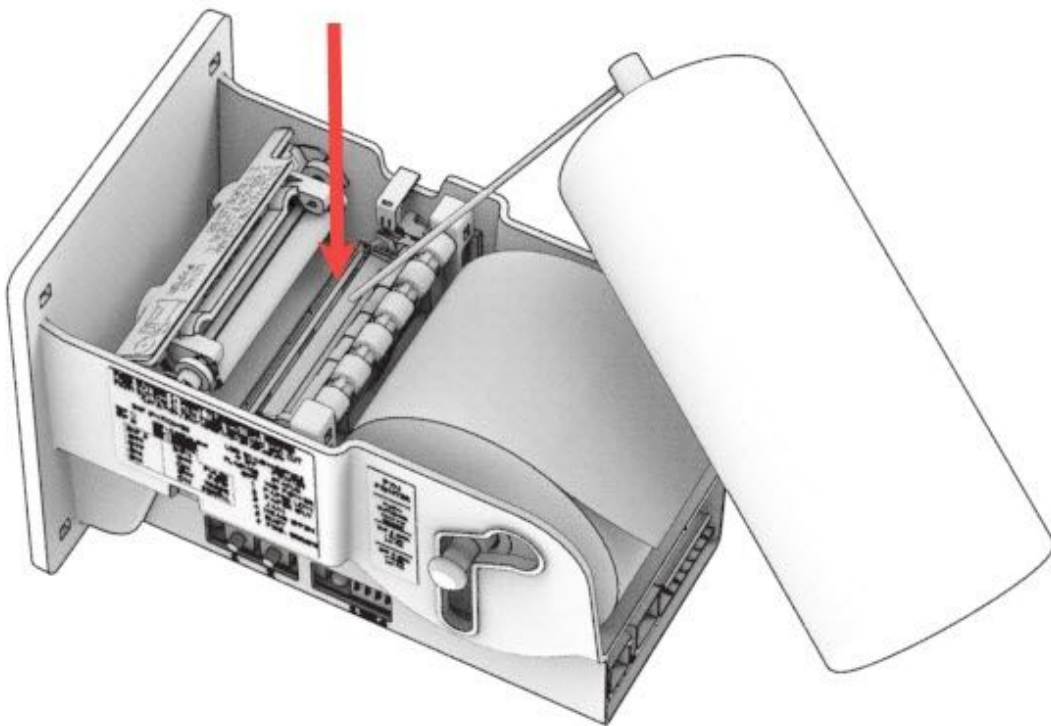
Step 2:

With the plastic guide removed you can now pull the release latch, swing the head open and remove the installed paper from the feed path.

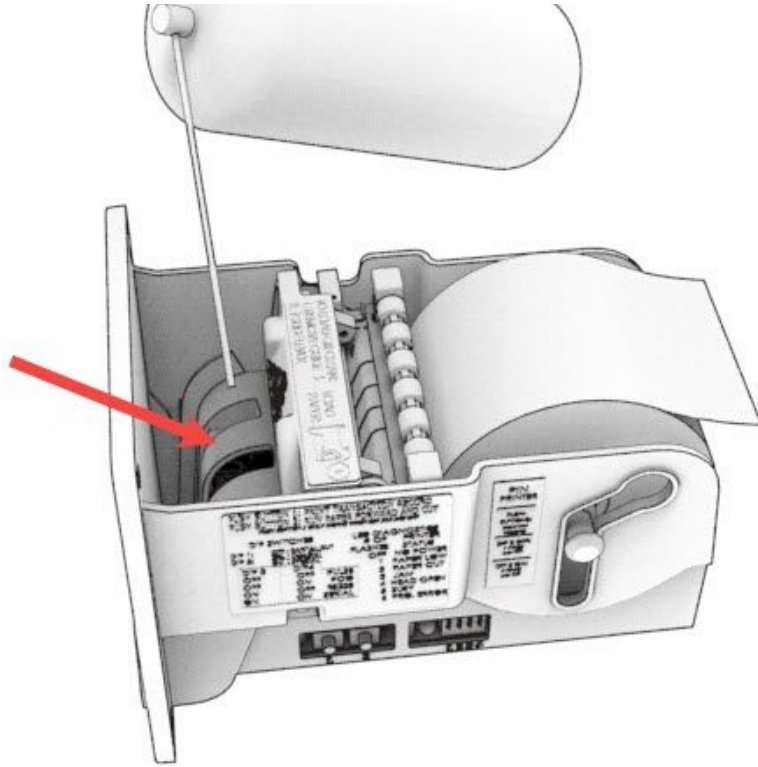


Step 3:

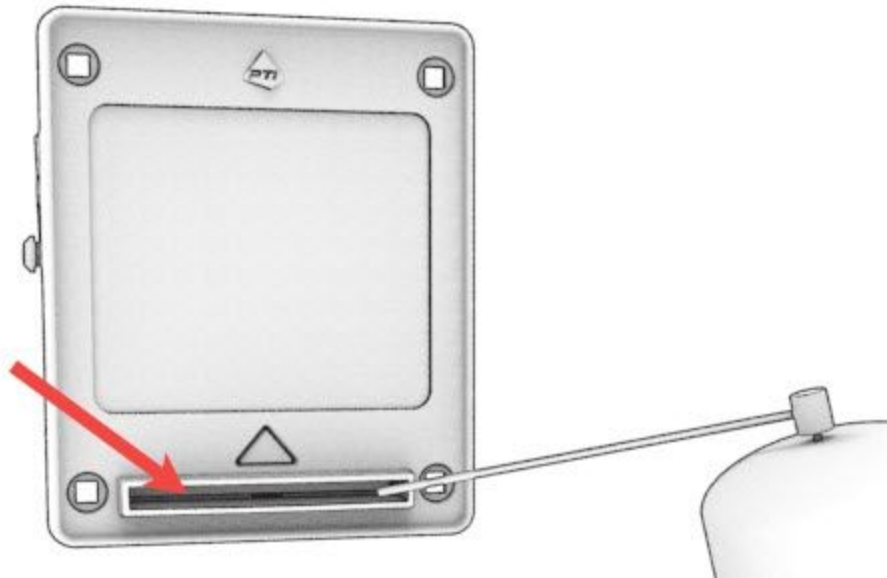
With the cutter head fully open and paper removed you can now begin to blow out all areas using your canned air for any paper debris or dust removal. Please see images below for key areas.



A.



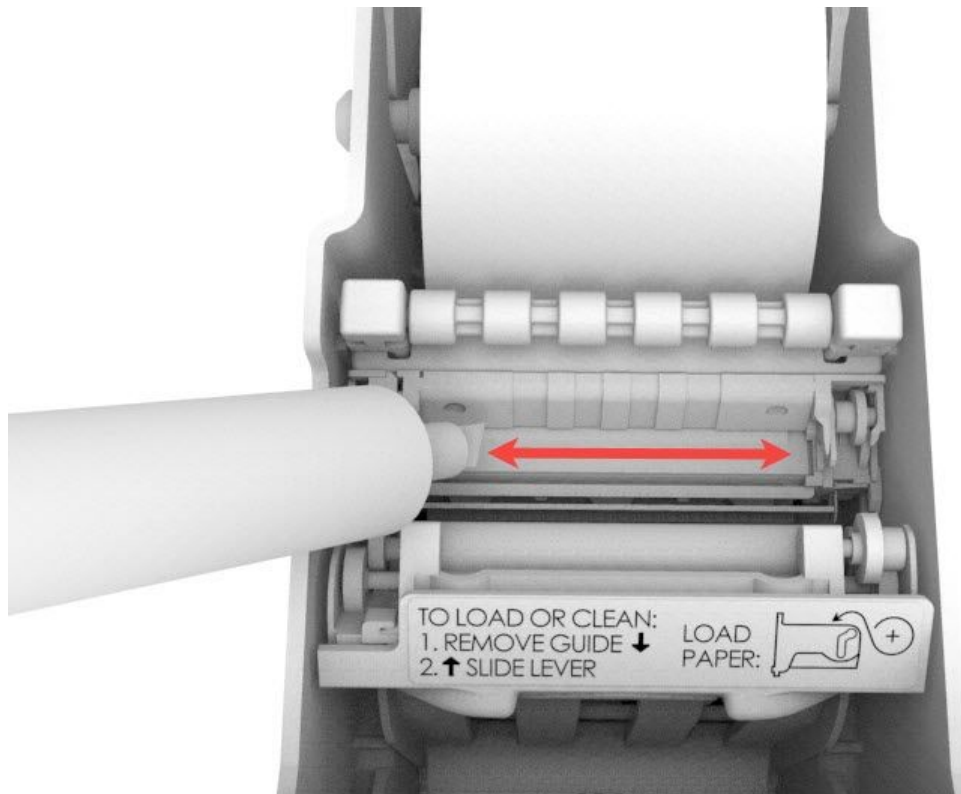
B.



C.

Step 4:

Now that all debris has been cleared with the cutter head open and using the Thermal Printer cleaning pen proceed to clean the thermal printing area for any residual residue that may be present as seen in the image below.



Step 5:

Now that all cleaning has been complete finish by closing the cutter head and reinstall the plastic paper guide. With the printer assembled please note to inspect the following inspection area for any obstructions that could be present in the paper exiting area as seen in the image below.

